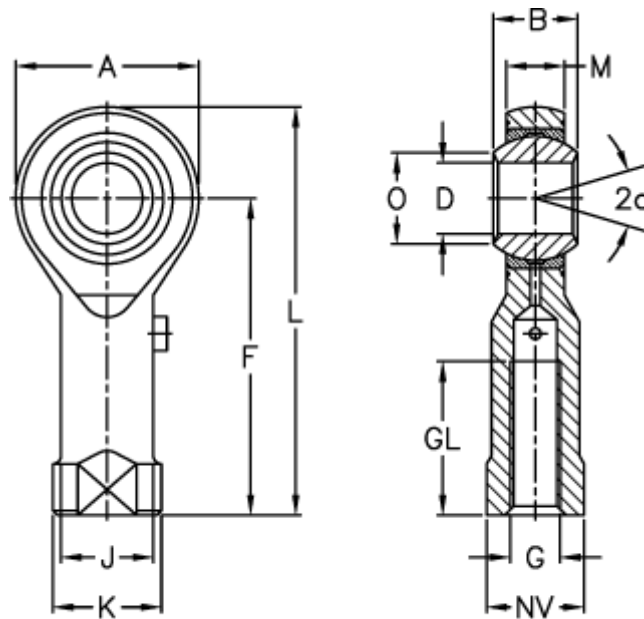


Article number: 03215003

Description: Fluro Rod End GILRS 3-R

Housing and ball in stainless steel with left-handed thread

Measures



Str. 3 uden smørenippel

A	= 14	J	= 5	Weight (g) = 6
a (degrees)	= 14	K	= 6.5	
B	= 6	L	= 27	
D	= 3	M	= 4.5	
Dynamic load C (kN)	= 1.8	NV	= 5.5	
F	= 21	O	= 5.1	
G	= M3	Permissible rpm	= Ikke velegnet til rotation	
GL	= 10	Static load C0 (kN)	= 8	